

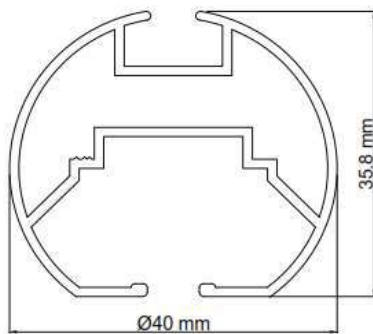
VARÃO ONDA CILINDRO



Suporte Parede Cilindro



Suporte Teto Cilindro



União Decorativa Cilindro

VARÃO ONDA CILINDRO

| Medida (m) | Preto Brilho Branco Brilho | Natural Natural Brilho | Inox Bronze ¹⁾ |
|------------|-------------------------------|---------------------------|------------------------------|
| 1,20 | --- | --- | --- |
| 1,40 | --- | --- | --- |
| 1,60 | --- | --- | --- |
| 1,80 | --- | --- | --- |
| 2,00 | --- | --- | --- |
| 2,20 | --- | --- | --- |
| 2,40 | --- | --- | --- |
| 2,60 | --- | --- | --- |
| 3,00 | --- | --- | --- |
| 3,20 | --- | --- | --- |
| 3,40 | --- | --- | --- |
| 3,60 | --- | --- | --- |
| 4,00 | --- | --- | --- |
| 4,40 | --- | --- | --- |
| 5,00 | --- | --- | --- |
| 6,00 | --- | --- | --- |

Sistema Onda Espaços: 40, 50, 55, 60, 65, 70, 75, 80, 85, 100 mm

Outros sistemas disponíveis: Franzido / Pregas / Machos, Onda com Roletes de Fio

Acionamento de cordão; Abertura Central (KC) ou Lateral (KL)

¹⁾ Kits em Bronze são fornecidos com terminais e suportes à cor, restantes acabamentos fornecidos com acessórios em Inox

Possibilidade de efetuar curvatura (sob consulta)

Componentes

| | Preto / Branco | Natural / Nat. Brilho | Inox / Bronze |
|--|----------------|-----------------------|---------------|
| Perfil Varão Onda Cilindro - 6,40 m | --- /m | --- /m | --- /m |
| | | Branco | Inox / Bronze |
| Suporte Cilindro | 13 cm | --- | --- |
| | 20 cm | ---- | --- |
| Suporte Teto | | ---- | --- |
| Par Terminal | | --- | --- |
| União Decorativa | | ---- | --- |

Medidas superiores a 4,00 m, considera-se transporte especial